

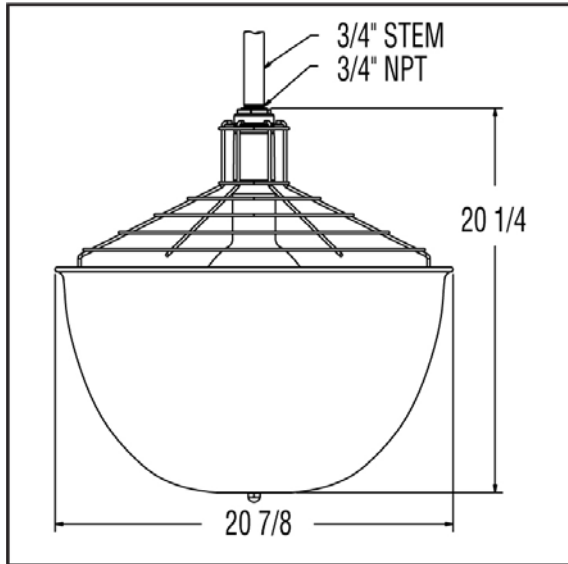


Elite Lighting

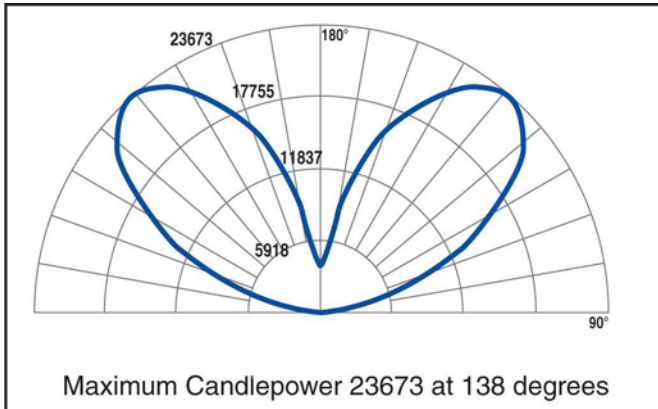
1280 N. Winchester
Olathe, Kansas 66061
913/780-0770

Elite Lighting Specifications

Dimensions



Distribution Pattern



ORDERING INFORMATION

SERIES	MODEL	LAMP WATTAGE	LIGHT SOURCE	LINE VOLTAGE	MOUNTING OPTIONS	OTHER OPTIONS
ISL2	EL = Elite Lighting	1000 400	MHST standard Metal Halide 1,000-watt 107,000 lumen lamp	120* 208* 240* 277* 480	Standard 6' stem and coupler with either: STM4 – 4' stem STM2 – 2' stem	FD – Fusing (Specialty Voltage) ENCAP – Encapsulated ballast

Example of typical order

ISL2 – EL – 1000 – MHST – MT – STM4 – 0

Housing: Seamless impact resistance, 18-gauge spun steel with high temperature white polyester powdercoat finish.

Reflector: Fabricated, conical shaped six-sided anodized specular aluminum (.020) with minimum 86% reflectivity.

Wire Guard: One piece, conical shaped steel wire guard with 8-gauge spokes and 10-gauge circumferential rings. Wire guard finished in flat black powdercoat finish.

Socket: Porcelain mogul base, pulse rated open rated socket.

Lamp: 1000-watt Metal Halide Protected lamp. Clear lamps supplied as standard. [The fixture complies with NFPA's \(National Fire Protection Association\) National Electric Code 2005 Article 410.73.F.5 in regards to Metal Halide lamp containment requirements.](#)

Mounting: The luminaire hangs from a white 3/4" rigid aluminum stem. Upper connection utilizes a zinc-plated steel ball aligner with 3/4-inch NPT swivel to mount to a standard 4-square electrical junction box. Ball aligner allows fixture to hang plumb at angles as great as 45 degrees.

Servicing: Lamp changing and fixture cleaning is accomplished without tools by swing down action of housing away from stationary wire guard. Latching mechanism integral to wire guard. Cable strap is included for safety purposes.

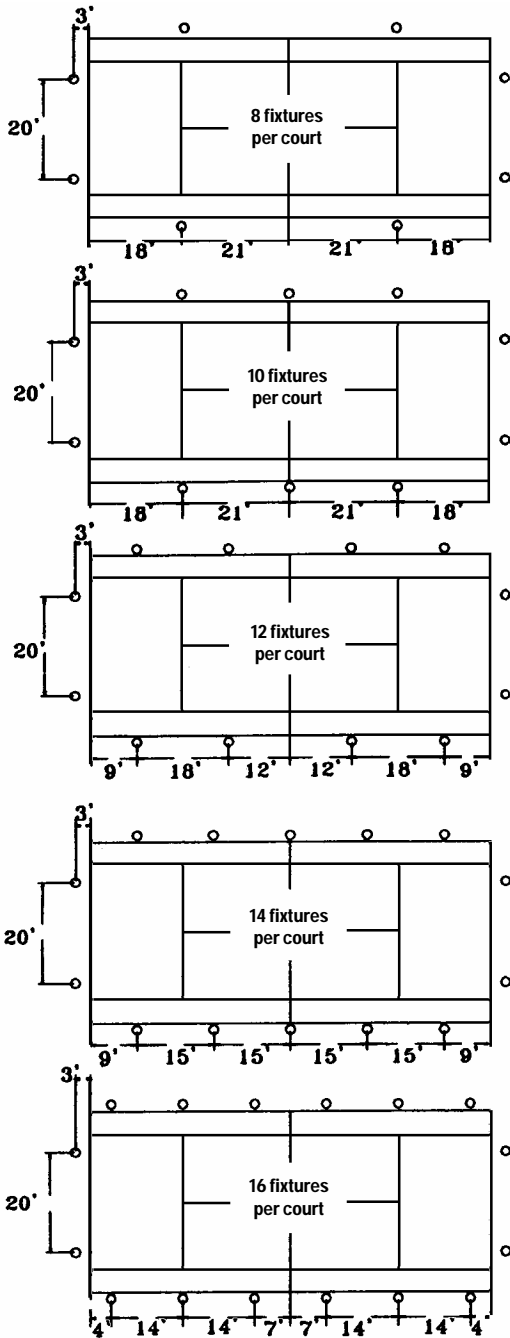
Ballasts: Remote ballasts is designed for indoor or protected locations. Ballast is class H, high power factor, core and coil design to operate a 400 or 1000-watt metal halide lamp. Total wattage consumption of ballast is 1080 watts. Ballast is available in multi-tap (120V, 208V, 240V, 270V) or 480V versions. Ballast enclosure is constructed of and finished in heavy gauge pre-galvanized steel. Ballast is UL listed for damp locations. Optional encapsulated ballasts available.

Performance: Fixture is 100% indirect, symmetrical distribution, with maximum candlepower at 42 degrees from the vertical. Photometric test should be performed by an independent laboratory.

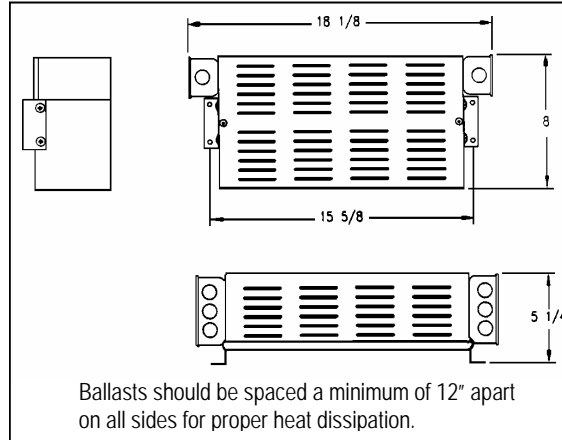
Weight: 14 pounds (fixture w/stem and lamp)

** Elite fixtures are UL approved for damp locations.

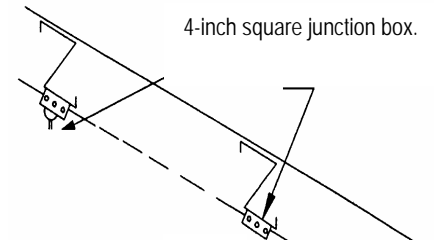
SAMPLE COURT LAYOUTS



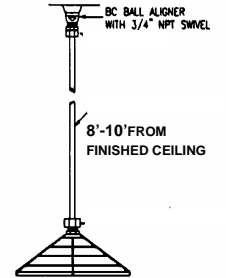
Ballast Detail



INSTALLATION DETAILS



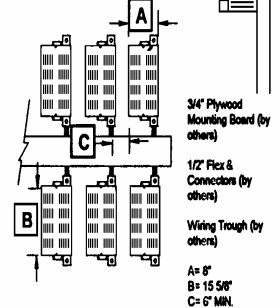
4-inch square junction box.



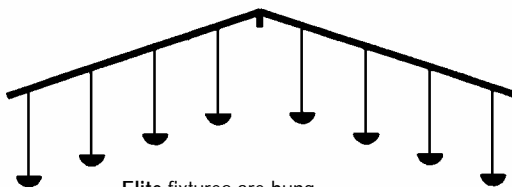
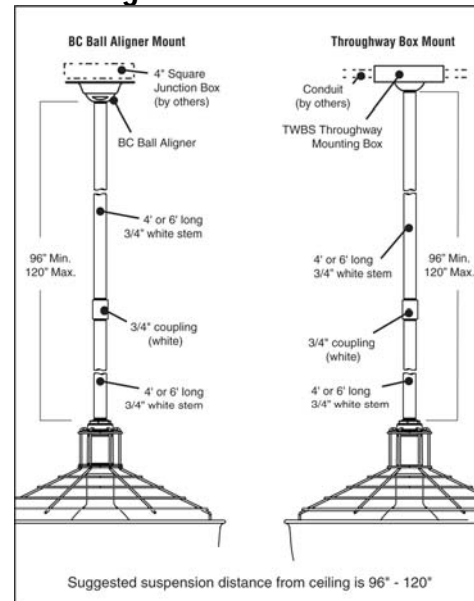
Maximum one-way length of wire (supplied by contractor) between lamp and ballast for 1000-watt metal halide lamp.

WIRE	#16	#14	#12	#10
FEET	≤ 50'	50'-100'	100'-200'	200'-300'

Remote Ballast with mounting feet. Install on wall where easily accessible.



Mounting Detail



Elite fixtures are hung equidistant from the ceiling at specified intervals as required by number of lights ordered. Contact ICA for optional layouts.

METAL HALIDE BALLAST SPECIFICATION

LAMP TYPE & WATTAGE	PRIMARY VOLTAGE	CIRCUIT TYPE	MAXIMUM START CURRENT	INPUT WATTS OPEN CURRENT	OPEN CIRCUIT VOLTAGE
1000-watt metal halide	120	CWA	9.00	1070	425
	208		5.20	1070	425
	220		4.90	1070	425
	240		4.50	1070	425
	277		3.90	1070	425
	480		2.25	1070	425



1280 N. Winchester
Olathe, Kansas 66061
913/780-0770