

CHARLESTON HIGH BAY - ALUMINUM (OPEN)

LAMP TYPES -The Charleston is designed to accommodate Pulse-Start Metal Halide, Metal Halide, and High Pressure Sodium lamp types. Clear lamp is supplied as standard.

BALLAST -High power factor 60Hz Class H ballast. Pulse-Start Metal Halide fixtures feature a Super CWA type ballast. Metal Halide, and High Pressure Sodium fixtures feature a CWA type ballast, except for 150 watt High Pressure Sodium which features an HX-HPF ballast. All ballasts are designed for 55° Celsius operation. 65° Celsius ambient temperature is optional. See Electrical Information page for detailed ballast information.

BALLAST HOUSING - Heavy, die-cast, finned aluminum housing for maximum heat dissipation.

BALLAST FINISH - High temperature, environmentally friendly white textured powder finish is standard.

MOUNTING - Removable cast aluminum center mounting plate allows fixture to hang plumb. A 3/4" threaded cast mounting hub with safety set screw is standard.

REFLECTORS - Anodized finished spun aluminum reflector.

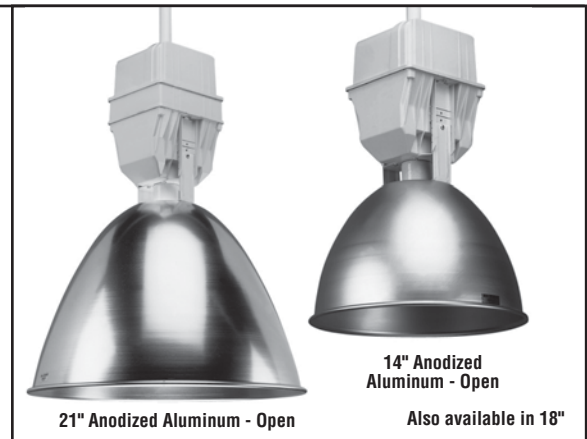
DISTRIBUTION PATTERNS - Adjustable design allows a range of symmetrical distributions.

SOCKETS - Porcelain, mogul-base sockets are pulse rated.

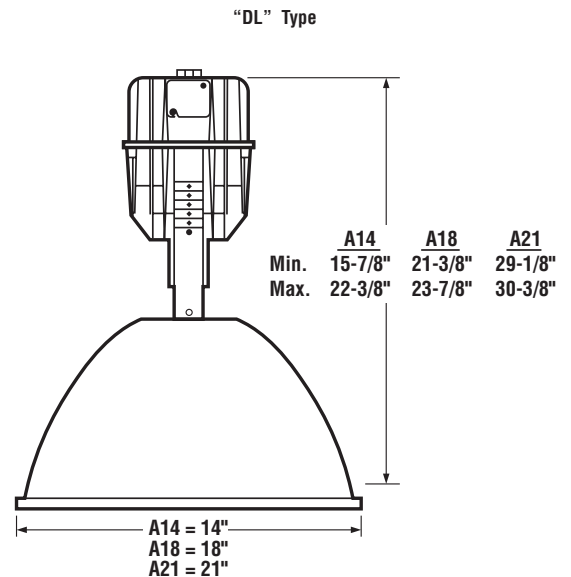
PHOTOMETRICS - Please visit our web site at www.lsi-industries.com for detailed photometric data.



damp location



DIMENSIONS



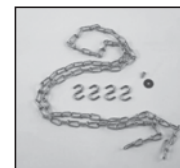
Description	DL - Downlight Open Vented Reflector		
	Max. Height	Dia	Weight
Pulse-Start Metal Halide			
320 - PSMP	22-3/8"	14"	21-3/4
320 - PSMP	23-7/8"	18"	23
400 - PSMP	22-3/8"	14"	21-3/4
400 - PSMP	23-7/8"	18"	23
Metal Halide			
175 - MP	22-3/8"	14"	16-3/4
250 - MP	22-3/8"	14"	19-1/4
400 - MP	22-3/8"	14"	21-3/4
400 - MP	23-7/8"	18"	23
1000 - MP	30-3/8"	21"	34-1/2
High Pressure Sodium			
150 - HPS	22-3/8"	14"	13-1/4
150 - HPS	23-7/8"	18"	14-1/2
250 - HPS	22-3/8"	14"	17-1/4
250 - HPS	23-7/8"	18"	18-1/2
400 - HPS	22-3/8"	14"	21-1/4
400 - HPS	23-7/8"	18"	22-1/2
1000 - HPS	30-3/8"	21"	41

Note: The above max. height dimensions are based on a reflector mounted in distribution position #1. The Charleston offers 6 distribution mounting positions. To calculate other overall fixture heights, deduct 1/2" from the above max. heights for every position number moved (for position #2 deduct 1/2", for position #3 deduct 1", for position #4 deduct 1-1/2", for position #5 deduct 2", for position #6 deduct 2-1/2").

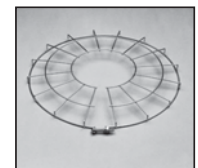
FEATURES/OPTIONS/ACCESSORIES



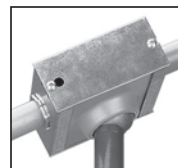
Hook/Loop, Cord w/Plug



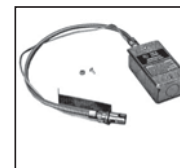
Safety Chain Kit



Wire Guard



Throughway Mount Box with Swivel



Emergency Quartz Lighting Kit

Project Name _____ Fixture Type _____

Catalog # _____

CHARLESTON HIGH BAY - ALUMINUM (OPEN)

Fixture Prefix	Lamp Wattage ¹	Light Source	Line Voltage ²	Reflector Distribution	Reflector Type	Factory Installed Options
CHA2	320 400	PSMP – Pulse-Start Metal Halide Protected 320, 400 Watt	MT – Multi Tap ³ TT – Tri-Tap ⁴ 480	A14 - Adjustable A18 - Adjustable A21 - Adjustable	DL – Downlight Open Vented	DF480-480V Double External Fusing ENCAP – Encapsulated Ballast HCP120 – Hook, 3' Cord and 120V Twistlock Plug HCP208 – Hook, 3' Cord and 208V Twistlock Plug HCP240 – Hook, 3' Cord and 240V Twistlock Plug HCP277 – Hook, 3' Cord and 277V Twistlock Plug HCP480 – Hook, 3' Cord and 480V Twistlock Plug LCP120 – Loop, 3' Cord and 120V Twistlock Plug LCP208 – Loop, 3' Cord and 208V Twistlock Plug LCP240 – Loop, 3' Cord and 240V Twistlock Plug LCP277 – Loop, 3' Cord and 277V Twistlock Plug LCP480 – Loop, 3' Cord and 480V Twistlock Plug PH120 – 120 Power Hook with Loop and Cordset PH208 – 208 Power Hook with Loop and Cordset PH240 – 240 Power Hook with Loop and Cordset PH277 – 277 Power Hook with Loop and Cordset PH480 – 480 Power Hook with Loop and Cordset SQT - Standby Quartz (Time Delay) SQN - Standby Quartz (Non-Time Delay) 65C – 65° Celsius Operation LL - Less Lamp
	175 250	MP – Metal Halide Protected 175, 250 Watt		A14 - Adjustable A18 - Adjustable		
	150 250 400	MP – Metal Halide Protected 150, 250, 400, 1000 Watt		A14 - Adjustable A18 - Adjustable A21 - Adjustable		
	1000			A21 - Adjustable		
	400	HPS – High Pressure Sodium 150, 250, 400, 1000 Watt		A14 - Adjustable A18 - Adjustable A21 - Adjustable		
	1000			A21 - Adjustable		

EXAMPLE OF A TYPICAL ORDER

CHA2 400 MP MT A18 DL SQT

FOOTNOTES:

- 1- Other wattages may be available. Consult factory
- 2- For international voltages, consult factory.
- 3- MT – Multi Tap is shipped standard unless otherwise specified. Multi Tap consists of 120V, 208V, 240V, and 277V. Multi Tap is pre-wired for highest voltage. Alternate voltages will require field re-wiring.
- 4- Tri-Tap is shipped standard for Canadian applications. Tri-Tap consists of 120V, 277V, and 347V. Tri-Tap is pre-wired for highest voltage. Alternate voltages will require field re-wiring.

ACCESSORY ORDERING INFORMATION (Accessories are field installed)

Description	Order Number	Description	Order Number
AH - Hook with 3/4" Male Threaded End	EM0182	TWB - Throughway Mount Box	122617
AL - Loop with 3/4" Male Threaded End	EM0183	TWBS - Throughway Mount Box with Swivel	122618
BC585 - Ball Aligner, 3/4" for Round J Boxes	100944	3CL515P- 3' Cord and 120 Twistlock Plug	3CL515P
BC585SQ - Ball Aligner, 3/4" for Square J Boxes	100902	3CL615P - 3' Cord and 208/240 Twistlock Plug	3CL615P
COG14F - 14" Wire Guard	101332	3CL715P - 3' Cord and 277 Twistlock Plug	3CL715P
COG18F - 18" Wire Guard	101144	3CL820P - 3' Cord and 480 Twistlock Plug	3CL820P
COG21F - 21" Wire Guard	101331	FK120 - Single Fusing	FK120
EQ - Emergency Quartz Lighting Kit for Emergency Circuit	EQ	FK277 - Single Fusing	FK277
SCK - Safety Chain Kit	101170	DF208, 240 - Double Fusing	DF208,240
		FK347 - Single Fusing	FK347

NEMA PLUG CONFIGURATIONS

Description	Order Number
120V Twist-Lock Plug	L515P
208V Twist-Lock Plug	L615P
240V Twist-Lock Plug	L615P
277V Twist-Lock Plug	L715P
480V Twist-Lock Plug	L820P

Project Name _____ Fixture Type _____

Catalog # _____