

CHARLESTON HIGH BAY - BOROSILICATE GLASS (OPEN & ENCLOSED)

LAMP TYPES -The Charleston is designed to accommodate Pulse-Start Metal Halide, Super Metal Halide, Metal Halide, and High Pressure Sodium lamp types. Clear lamp is supplied as standard.

BALLAST - High power factor 60Hz Class H ballast. Pulse-Start Metal Halide fixtures feature a Super CWA type ballast. Super Metal Halide, Metal Halide, and High Pressure Sodium fixtures feature a CWA type ballast, except for 150 watt High Pressure Sodium which features an HX-HPF ballast. All ballasts are designed for 55° Celsius operation. 65° Celsius ambient temperature is optional. See Electrical Information page for detailed ballast information.

BALLAST HOUSING - Heavy, die-cast, finned aluminum housing for maximum heat dissipation.

BALLAST FINISH -High temperature, environmentally friendly white textured powder finish is standard.

MOUNTING -Removable cast aluminum center mounting plate allows fixture to hang plumb. A 3/4" threaded cast mounting hub with safety set screw is standard.

REFRACTOR -Vertical ribbed pressed borosilicate prismatic glass. Wire holders are internal to improve aesthetics and to reduce shadowing effect.

DISTRIBUTION PATTERNS - Adjustable design allows a range of symmetrical distributions with uplight component up to 24%.

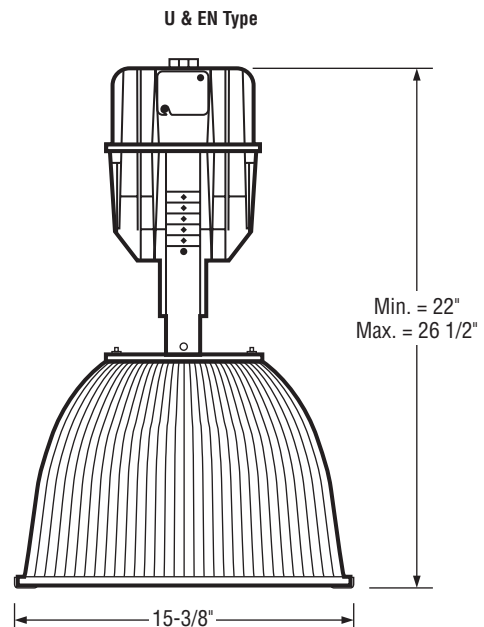
OPTIONAL LENS -Captive heat- and impact-resistant clear glass sealed within a one-piece silicone gasket and plated steel wire-form door. Positive latching secures removable hinged assembly to refractor.

SOCKETS -Porcelain, mogul-base sockets are pulse-rated.

PHOTOMETRICS - Please visit our web site at www.lsi-industries.com for detailed photometric data.



DIMENSIONS



FIXTURE DATA

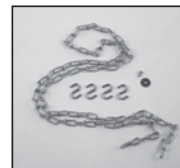
Description	U – Borosilicate Glass Open Refractor			EN – Borosilicate Glass Enclosed Refractor		
	Max. Height	Dia	Weight	Max. Height	Dia	Weight
Pulse-Start Metal Halide						
320 - PSMV	N/A	N/A	N/A	26-1/2"	15-3/8"	42
400 - PSMV	N/A	N/A	N/A	26-1/2"	15-3/8"	42
320 - PSMP	26-1/2"	15-3/8"	40	N/A	N/A	N/A
400 - PSMP	26-1/2"	15-3/8"	40	N/A	N/A	N/A
Super Metal Halide						
400 - SMV	N/A	N/A	N/A	26-1/2"	15-3/8"	42
Metal Halide						
175 - MH	N/A	N/A	N/A	26-1/2"	15-3/8"	34-1/4"
250 - MH	N/A	N/A	N/A	26-1/2"	15-3/8"	38-3/4"
400 - MH	N/A	N/A	N/A	26-1/2"	15-3/8"	42"
175 - MP	26-1/2"	15-3/8"	32-1/4"	N/A	N/A	N/A
250 - MP	26-1/2"	15-3/8"	36-3/4"	N/A	N/A	N/A
400 - MP	26-1/2"	15-3/8"	40"	N/A	N/A	N/A
High Pressure Sodium						
150 - HPS	26-1/2"	15-3/8"	31-1/4"	26-1/2"	15-3/8"	33-1/4"
250 - HPS	26-1/2"	15-3/8"	35-1/4"	26-1/2"	15-3/8"	37-1/4"
400 - HPS	26-1/2"	15-3/8"	39-1/4"	26-1/2"	15-3/8"	41-1/4"

Note: The above max. height dimensions are based on a reflector mounted in distribution position #1. The Charleston offers 6 distribution mounting positions. To calculate other overall fixture heights, deduct 1/2" from the above max. heights for every position number moved (for position #2 deduct 1/2", for position #3 deduct 1", for position #4 deduct 1-1/2", for position #5 deduct 2", for position #6 deduct 2-1/2").

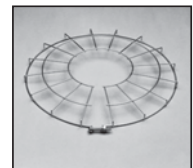
FEATURES/OPTIONS/ACCESSORIES



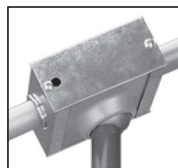
Hook/Loop, Cord w/Plug



Safety Chain Kit



Wire Guard



Throughway Mount Box with Swivel



Emergency Quartz Lighting Kit

Project Name _____ Fixture Type _____

Catalog # _____

CHARLESTON HIGH BAY - BOROSILICATE GLASS (OPEN & ENCLOSED)

Fixture Prefix	Lamp Wattage ¹	Light Source	Line Voltage ²	Refractor Distribution	Refractor Type	Factory Installed Options
CHA2	320 400	PSMV – Pulse-Start Metal Halide 320, 400 Watt	MT – Multi Tap ³ TT – Tri-Tap ⁴ 480	BG16 - Adjustable	EN – Enclosed	DF480-480V Double External Fusing ENCAP – Encapsulated Ballast HCP120 – Hook, 3' Cord and 120V Twistlock Plug HCP208 – Hook, 3' Cord and 208V Twistlock Plug HCP240 – Hook, 3' Cord and 240V Twistlock Plug HCP277 – Hook, 3' Cord and 277V Twistlock Plug HCP480 – Hook, 3' Cord and 480V Twistlock Plug LCP120 – Loop, 3' Cord and 120V Twistlock Plug LCP208 – Loop, 3' Cord and 208V Twistlock Plug LCP240 – Loop, 3' Cord and 240V Twistlock Plug LCP277 – Loop, 3' Cord and 277V Twistlock Plug LCP480 – Loop, 3' Cord and 480V Twistlock Plug PH120 – 120V Power Hook with Loop and Cordset PH208 – 208V Power Hook with Loop and Cordset PH240 – 240V Power Hook with Loop and Cordset PH277 – 277V Power Hook with Loop and Cordset PH480 – 480V Power Hook with Loop and Cordset SQT - Standby Quartz (Time Delay) SQN - Standby Quartz (Non-Time Delay) 65C – 65° Celsius Operation W16 – Wire Guard for Enclosed Glass Refractor LL - Less Lamp
	320 400	PSMP - Pulse-Start Metal Halide 300, 400 Watt			U – Open	
	400	SMV – Super Metal Halide 400 Watt			EN – Enclosed	
	175 250 400	MH – Metal Halide 175, 250, 400 Watt			EN – Enclosed	
	175 250 400	MP – Metal Halide Protected 175, 250, 400 Watt			U – Open	
	150 250 400	HPS – High Pressure Sodium 150, 250, 400 Watt			U – Open EN – Enclosed	

EXAMPLE OF A TYPICAL ORDER

CHA2 400 PSMV MT BG16 EN SQT

FOOTNOTES:

- 1- Other wattages may be available. Consult factory
- 2- For international voltages, consult factory.
- 3- MT – Multi Tap is shipped standard unless otherwise specified. Multi Tap consists of 120V, 208V, 240V, and 277V. Multi Tap is pre-wired for highest voltage. Alternate voltages will require field re-wiring.
- 4- Tri-Tap is shipped standard for Canadian applications. Tri-Tap consists of 120V, 277V, and 347V. Tri-Tap is pre-wired for highest voltage. Alternate voltages will require field re-wiring.

ACCESSORY ORDERING INFORMATION (Accessories are field installed)

Description	Order Number	Description	Order Number
AH - Hook with 3/4" Male Threaded End	EM0182	3CL515P- 3' Cord and 120V Twistlock Plug	3CL515P
AL - Loop with 3/4" Male Threaded End	EM0183	3CL615P - 3' Cord and 208/240V Twistlock Plug	3CL615P
BC585 - Ball Aligner, 3/4" for Round J Boxes	100944	3CL715P - 3' Cord and 277V Twistlock Plug	3CL715P
BC585SQ - Ball Aligner, 3/4" for Square J Boxes	100902	3CL820P - 3' Cord and 480V Twistlock Plug	3CL820P
EQ - Emergency Quartz Lighting Kit for Emergency Circuit	EQ	FK120 - Single Fusing	FK120
SCK - Safety Chain Kit	101170	FK277 - Single Fusing	FK277
TWB - Throughway Mount Box	122617	DF208, 240 - Double Fusing	DF208,240
TWBS - Throughway Mount Box with Swivel	122618	FK347 - Single Fusing	FK347
W16 - Wire Guard for Open Glass Refractor	122458		

NEMA PLUG CONFIGURATIONS

Description	Order Number
120V Twist-Lock Plug	L515P
208V Twist-Lock Plug	L615P
240V Twist-Lock Plug	L615P
277V Twist-Lock Plug	L715P
480V Twist-Lock Plug	L820P

Project Name _____ Fixture Type _____

Catalog # _____