

CHARLESTON HIGH BAY - ACRYLIC (OPEN WITH 20% UPLIGHT)

LAMP TYPES - The Charleston is designed to accommodate Pulse-Start Metal Halide, Metal Halide, and High Pressure Sodium lamp types. Clear lamp is supplied as standard.

BALLAST - High power factor 60Hz Class H ballast. Pulse-Start Metal Halide fixtures feature a Super CWA type ballast. Metal Halide, and High Pressure Sodium fixtures feature a CWA type ballast, except for 150 watt High Pressure Sodium which features an HX-HPF ballast. All ballasts are designed for 55° Celsius operation. See Electrical Information page for detailed ballast information.

BALLAST HOUSING - Heavy, die-cast, finned aluminum housing for maximum heat dissipation.

BALLAST FINISH - High temperature, environmentally friendly white textured powder finish is standard.

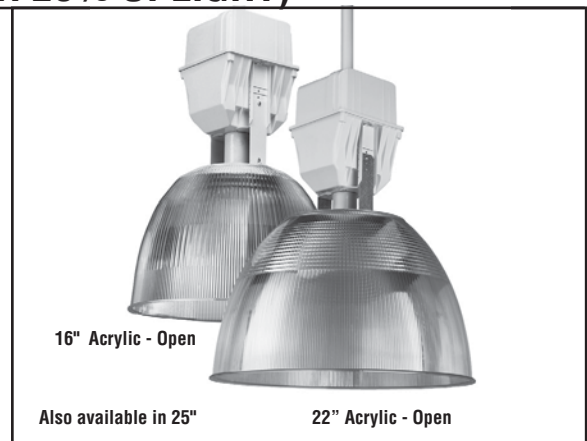
MOUNTING - Removable cast aluminum center mounting plate allows fixture to hang plumb. 3/4" threaded cast mounting hub with safety set screw is standard.

REFRACTORS - Adjustable 16", 22", or 25" diameter clear, ribbed prismatic acrylic (UV stabilized).

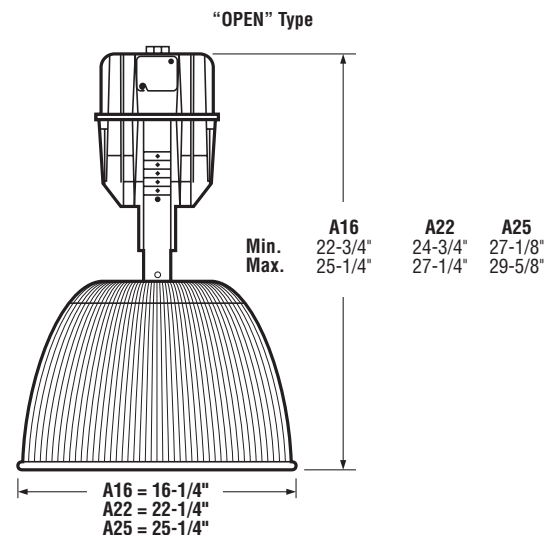
DISTRIBUTION PATTERNS - Adjustable design allows a range of symmetrical distributions with 20% uplight.

SOCKETS - Porcelain, mogul-base sockets are pulse-rated.

PHOTOMETRICS - Please visit our web site at www.lsi-industries.com for detailed photometric data.



DIMENSIONS



damp location

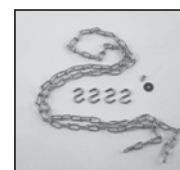
Description	Open Ventilated Acrylic Refractor		
	Max. Height	Dia.	Weight
Pulse-Start Metal Halide			
320 - PSMP	25-1/4"	16-1/4"	24-1/2
320 - PSMP	27-1/4"	22-1/4"	28
320 - PSMP	29-5/8"	25-1/4"	29
400 - PSMP	25-1/4"	16-1/4"	24-1/2
400 - PSMP	27-1/4"	22-1/4"	28
400 - PSMP	29-5/8"	25-1/4"	29
Metal Halide			
175 - MP	25-1/4"	16-1/4"	19-1/2
250 - MP	25-1/4"	16-1/4"	22
400 - MP	25-1/4"	16-1/4"	24-1/2
400 - MP	27-1/4"	22-1/4"	28
400 - MP	29-5/8"	25-1/4"	29
High Pressure Sodium			
150 - HPS	25-1/4"	16-1/4"	20
250 - HPS	25-1/4"	16-1/4"	24
400 - HPS	25-1/4"	16-1/4"	24
400 - HPS	27-1/4"	22-1/4"	27

Note: The above max. height dimensions are based on a reflector mounted in distribution position #1. The Charleston offers 6 distribution mounting positions. To calculate other overall fixture heights, deduct 1/2" from the above max. heights for every position number moved (for position #2 deduct 1/2", for position #3 deduct 1", for position #4 deduct 1-1/2", for position #5 deduct 2", for position #6 deduct 2-1/2").

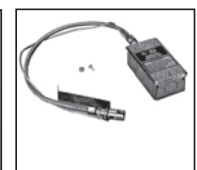
FEATURES/OPTIONS/ACCESSORIES



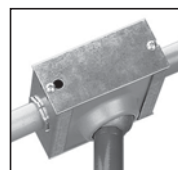
Hook/Loop, Cord w/Plug



Safety Chain Kit



Emergency Quartz Lighting Kit



Throughway Mount Box with Swivel

Project Name _____ Fixture Type _____

Catalog # _____

CHARLESTON HIGH BAY - ACRYLIC (OPEN WITH 20% UPLIGHT)

Fixture Prefix	Lamp Wattage ¹	Light Source	Line Voltage ²	Refractor Distribution	Factory Installed Options
CHA2	320 400	PSMP – Pulse-Start Metal Halide Protected 320, 400 Watt	MT – Multi Tap ³ TT – Tri-Tap ⁴ 480	A16 - Adjustable A22 - Adjustable A25 - Adjustable	DF480-480V Double External Fusing ENCAP – Encapsulated Ballast HCP120 – Hook, 3' Cord and 120V Twistlock Plug HCP208 – Hook, 3' Cord and 208V Twistlock Plug HCP240 – Hook, 3' Cord and 240V Twistlock Plug HCP277 – Hook, 3' Cord and 277V Twistlock Plug HCP480 – Hook, 3' Cord and 480V Twistlock Plug LCP120 – Loop, 3' Cord and 120V Twistlock Plug LCP208 – Loop, 3' Cord and 208V Twistlock Plug LCP240 – Loop, 3' Cord and 240V Twistlock Plug LCP277 – Loop, 3' Cord and 277V Twistlock Plug LCP480 – Loop, 3' Cord and 480V Twistlock Plug PH120 – 120V Power Hook with Loop and Cordset PH208 – 208V Power Hook with Loop and Cordset PH240 – 240V Power Hook with Loop and Cordset PH277 – 277V Power Hook with Loop and Cordset PH480 – 480V Power Hook with Loop and Cordset SQT - Standby Quartz (Time Delay) SQN - Standby Quartz (Non-Time Delay) LL - Less Lamp
	175 250	MP – Metal Halide Protected 175, 250 Watt		A16 - Adjustable A22 - Adjustable	
	400	MP – Metal Halide Protected 400, 1000 Watt		A16 - Adjustable A22 - Adjustable A25 - Adjustable	
	1000			A25 - Adjustable	
	150 250 400	HPS – High Pressure Sodium 150, 250, 400, 1000 Watt		A16 - Adjustable A22 - Adjustable A25 - Adjustable	
	1000			A25 - Adjustable	

EXAMPLE OF A TYPICAL ORDER

CHA2 400 MP MT A16 SQT

FOOTNOTES:

- 1- Other wattages may be available. Consult factory
- 2- For international voltages, consult factory.
- 3- MT – Multi Tap is shipped standard unless otherwise specified. Multi Tap consists of 120V, 208V, 240V, and 277V. Multi Tap is pre-wired for highest voltage. Alternate voltages will require field re-wiring.
- 4- Tri-Tap is shipped standard for Canadian applications. Tri-Tap consists of 120V, 277V, and 347V. Tri-Tap is pre-wired for highest voltage. Alternate voltages will require field re-wiring.

ACCESSORY ORDERING INFORMATION (Accessories are field installed)

Description	Order Number	Description	Order Number
AH - Hook with 3/4" Male Threaded End	EM0182	3CL615P - 3' Cord and 208/240V Twistlock Plug	3CL615P
AL - Loop with 3/4" Male Threaded End	EM0183	3CL715P - 3' Cord and 277V Twistlock Plug	3CL715P
BC585 - Ball Aligner, 3/4" for Round J Boxes	100944	3CL820P - 3' Cord and 480V Twistlock Plug	3CL820P
BC585SQ - Ball Aligner, 3/4" for Square J Boxes	100902	FK120 - Single Fusing	FK120
EQ - Emergency Quartz Lighting Kit for Emergency Circuit	EQ	FK277 - Single Fusing	FK277
SCK - Safety Chain Kit	101170	DF208, 240 - Double Fusing	DF208, 240
TWB - Throughway Mount Box	122617	FK347 - Single Fusing	FK347
TWBS - Throughway Mount Box with Swivel	122618	CBWG16 - Clamp Band & Wire Guard 16"	156260
3CL515P- 3' Cord and 120V Twistlock Plug	3CL515P	CBWG22 - Clamp Band & Wire Guard 22"	158875

NEMA PLUG CONFIGURATIONS

Description	Order Number
120V Twist-Lock Plug	L515P
208V Twist-Lock Plug	L615P
240V Twist-Lock Plug	L615P
277V Twist-Lock Plug	L715P
480V Twist-Lock Plug	L820P

Project Name _____ Fixture Type _____

Catalog # _____