

# CHARLESTON HIGH BAY - ALUMINUM (ENCLOSED)

**LAMP TYPES** - The Charleston is designed to accommodate Pulse-Start Metal Halide, Super Metal Halide, Metal Halide, and High Pressure Sodium lamp types. Clear lamp is supplied as standard.

**BALLAST** - High power factor 60Hz Class H ballast. Pulse-Start Metal Halide fixtures feature a Super CWA type ballast. Super Metal Halide, Metal Halide, and High Pressure Sodium fixtures feature a CWA type ballast, except for 150 watt High Pressure Sodium which features an HX-HPF ballast. All ballasts are designed for 55° Celsius operation. 65° Celsius ambient temperature is optional. See Electrical Information page for detailed ballast information.

**BALLAST HOUSING** - Heavy, die-cast, finned aluminum housing for maximum heat dissipation.

**BALLAST FINISH** - High temperature, environmentally friendly white textured powder finish is standard.

**MOUNTING** - Removable cast aluminum center mounting plate allows fixture to hang plumb. 3/4" threaded cast mounting hub with safety set screw is standard.

**REFLECTOR** - Anodized finished spun aluminum reflector.

**DISTRIBUTION PATTERNS** - Adjustable design allows a range of symmetrical distributions.

**LENS ASSEMBLY** - Heat- and impact-resistant clear glass sealed within endless silicone gasket and galvanized steel door. Positive 3-point stainless steel latching secures removable hinged assembly to reflector.

**SOCKETS** - Porcelain, mogul-base sockets are pulse-rated.

**PHOTOMETRICS** - Please visit our web site at [www.lsi-industries.com](http://www.lsi-industries.com) for detailed photometric data.

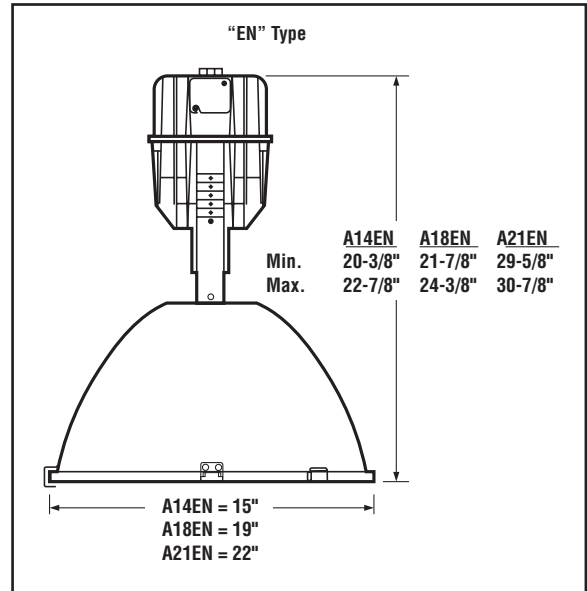


damp location



18" Anodized Aluminum - Enclosed  
Also Available in 14" and 21"

## DIMENSIONS



## FIXTURE DATA

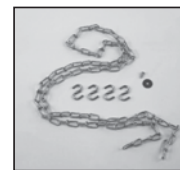
Description	EN - Enclosed Reflector		
	Max. Height	Dia	Weight
<b>Pulse-Start Metal Halide</b>			
320 - PSMV	24-3/8"	19"	23-1/2
400 - PSMV	24-3/8"	22"	23-1/2
<b>Super Metal Halide</b>			
400 - SMV	24-3/8"	19"	27-1/2
1000 - SMV	30-7/8"	22"	39-3/4
<b>Metal Halide</b>			
175 - MH	22-7/8"	15"	17
250 - MH	22-7/8"	15"	21-1/2
400 - MH	24-3/8"	19"	27-1/2
1000 - MH	30-7/8"	22"	39-3/4
<b>High Pressure Sodium</b>			
150 - HPS	24-3/8"	19"	23
250 - HPS	24-3/8"	19"	27
400 - HPS	24-3/8"	19"	27
1000 - HPS	30-7/8"	22"	46-1/2

Note: The above max. height dimensions are based on a reflector mounted in distribution position #1. The Charleston offers 6 distribution mounting positions. To calculate other overall fixture heights, deduct 1/2" from the above max. heights for every position number moved (for position #2 deduct 1/2", for position #3 deduct 1", for position #4 deduct 1-1/2", for position #5 deduct 2", for position #6 deduct 2-1/2").

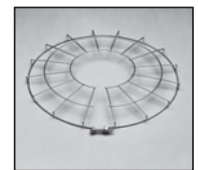
## FEATURES/OPTIONS/ACCESSORIES



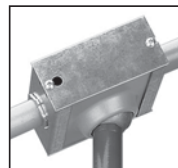
Hook/Loop, Cord w/Plug



Safety Chain Kit



Wire Guard



Throughway Mount Box with Swivel



Emergency Quartz Lighting Kit

Project Name \_\_\_\_\_ Fixture Type \_\_\_\_\_

Catalog # \_\_\_\_\_

# CHARLESTON HIGH BAY - ALUMINUM (ENCLOSED)

Fixture Prefix	Lamp Wattage <sup>1</sup>	Light Source	Line Voltage <sup>2</sup>	Reflector Distribution	Reflector Type	Factory Installed Options
CHA2	320 400	PSMV – Pulse-Start Metal Halide 320, 400 Watt	MT – Multi Tap <sup>3</sup> TT – Tri-Tap <sup>4</sup> 480	A18 - Adjustable A21 - Adjustable	EN – Enclosed	DF480-480V Double External Fusing ENCAP – Encapsulated Ballast HCP120 – Hook, 3' Cord and 120V Twistlock Plug HCP208 – Hook, 3' Cord and 208V Twistlock Plug HCP240 – Hook, 3' Cord and 240V Twistlock Plug HCP277 – Hook, 3' Cord and 277V Twistlock Plug HCP480 – Hook, 3' Cord and 480V Twistlock Plug LCP120 – Loop, 3' Cord and 120V Twistlock Plug LCP208 – Loop, 3' Cord and 208V Twistlock Plug LCP240 – Loop, 3' Cord and 240V Twistlock Plug LCP277 – Loop, 3' Cord and 277V Twistlock Plug LCP480 – Loop, 3' Cord and 480V Twistlock Plug PH120 – 120 Power Hook with Loop and Cordset PH208 – 208 Power Hook with Loop and Cordset PH240 – 240 Power Hook with Loop and Cordset PH277 – 277 Power Hook with Loop and Cordset PH480 – 480 Power Hook with Loop and Cordset SQT - Standby Quartz Time Delay SQN - Standby Quartz Non-Time Delay 65C – 65° Celsius Operation LL - Less Lamp
	400			SMV – Super Metal Halide 400, 1000 Watt		
	1000	MH – Metal Halide 175, 250, 400, 1000 Watt		A21 - Adjustable		
	175 250			A14 - Adjustable A18 - Adjustable		
	400			A18 - Adjustable A21 - Adjustable		
	1000	HPS – High Pressure Sodium 150, 250, 400, 1000 Watt		A21 - Adjustable		
	150 250			A18 - Adjustable		
	400			A18 - Adjustable A21 - Adjustable		
	1000	A21 - Adjustable				

EXAMPLE OF A TYPICAL ORDER

**CHA2 400 PSMV MT A18 EN SQT**

## FOOTNOTES:

- 1- Other wattages may be available. Consult factory
- 2- For international voltages, consult factory.
- 3- MT – Multi Tap is shipped standard unless otherwise specified. Multi Tap consists of 120V, 208V, 240V, and 277V. Multi Tap is pre-wired for highest voltage. Alternate voltages will require field re-wiring.
- 4- Tri-Tap is shipped standard for Canadian applications. Tri-Tap consists of 120V, 277V, and 347V. Tri-Tap is pre-wired for highest voltage. Alternate voltages will require field re-wiring.

## ACCESSORY ORDERING INFORMATION

Accessories are field installed

Description	Order Number	Description	Order Number
AH - Hook with 3/4" Male Threaded End	EM0182	TWB - Throughway Mount Box	122617
AL - Loop with 3/4" Male Threaded End	EM0183	TWBS - Throughway Mount Box with Swivel	122618
BC585 - Ball Aligner, 3/4" for Round J Boxes	100944	3CL515P - 3' Cord and 120 Twistlock Plug	3CL515P
BC585SQ - Ball Aligner, 3/4" for Square J Boxes	100902	3CL615P - 3' Cord and 208/240 Twistlock Plug	3CL615P
COG14N - 14" Wire Guard	101129	3CL715P - 3' Cord and 277 Twistlock Plug	3CL715P
COG18N - 18" Wire Guard	101084	3CL820P - 3' Cord and 480 Twistlock Plug	3CL820P
COG21N - 21" Wire Guard	101333	FK120 - Single Fusing	FK120
EQ - Emergency Quartz Lighting Kit for Emergency Circuit	EQ	FK277 - Single Fusing	FK277
SCK - Safety Chain Kit	101170	DF208, 240 - Double Fusing	DF208,240
		FK347 - Single Fusing	FK347

## NEMA PLUG CONFIGURATIONS

Description	Order Number
120V Twist-Lock Plug	L515P
208V Twist-Lock Plug	L615P
240V Twist-Lock Plug	L615P
277V Twist-Lock Plug	L715P
480V Twist-Lock Plug	L820P

Project Name \_\_\_\_\_ Fixture Type \_\_\_\_\_

Catalog # \_\_\_\_\_