

# INDUSTRIAL HIGH BAY - BOROSILICATE GLASS (OPEN & ENCLOSED)

**LAMP TYPES** - The Industrial High Bay is designed to accommodate Pulse-Start Metal Halide, Pulse-Start Metal Halide Protected, Super Metal Halide, Metal Halide, Metal Halide Protected and High Pressure Sodium lamp types. Clear lamps are supplied as standard.

LSI's new Industrial High Bay luminaires comply with the NFPA's (National Fire Protection Association) National Electric Code 2005 Article 410.73.F.5 in regards to Metal Halide lamp containment requirements.

**BALLAST** - High power factor 60Hz Class H ballast. Pulse-Start Metal Halide fixtures feature a Super CWA type ballast. Super Metal Halide, Metal Halide and High Pressure Sodium fixtures feature a CWA type ballast.

**BALLAST HOUSING** - 22 gauge pre-paint white steel with exposed ballast core for cooler operation of 55° Celsius operation for all Metal Halides, 50° Celsius operation for High Pressure Sodium. Labor saving design allows for quick installation with reflector brackets shipped factory installed.

**FIELD WIRING** - Standard 90 degree C wire can be utilized.

**MOUNTING** - Select from four (4) configurations:

- Direct Mount (DM)
- 3/4" pendant mount (PM)
- Hook, 3 ft. cord and voltage specific plug (HM-volt)
- Universal power hook mount (IHBPBK).

Mounting options can be shipped in advance of fixtures to help expedite the installation process.

**REFRACTOR** - Adjustable vertical ribbed pressed borosilicate prismatic glass. Hanging brackets are internal to improve aesthetics and to reduce shadowing effect.

**LENS ASSEMBLY FOR ENCLOSED VERSION** - Captive heat- and impact-resistant clear glass sealed within a one piece silicone gasket and plated steel wire-form door. Positive latching secures removable hinged assembly to refractor.

**DISTRIBUTION PATTERN** - Multiple mounting positions for a broad range of narrow to spread symmetrical lighting distribution choices.

**SOCKETS** - Porcelain, mogul-base sockets are pulse rated.

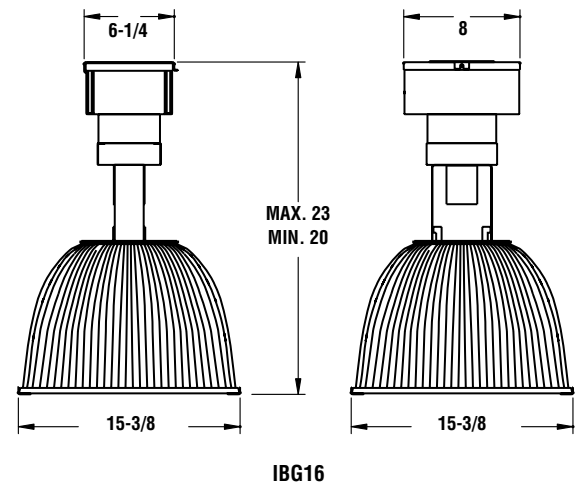
**WARRANTY** - The Industrial High Bay carries a limited one-year warranty on all parts (except lamp).

**PHOTOMETRICS** - Please visit our web site at [www.lsi-industries.com](http://www.lsi-industries.com) for detailed photometrics.



**IBG16EN**

## DIMENSIONS



## WEIGHTS

Ref. Type	Wattages	Weight
16" Open	200 - 450	31½ - 36½ lbs.
16" Enclosed	200 - 450	33½ - 38½ lbs.

Add 1 lb. for wire guard

Project Name \_\_\_\_\_ Fixture Type \_\_\_\_\_  
 Catalog # \_\_\_\_\_

# INDUSTRIAL HIGH BAY - BOROSILICATE GLASS (OPEN & ENCLOSED)

Fixture Prefix	Rated Wattage <sup>1</sup>	Light Source	Line Voltage <sup>2</sup>	Reflector Type	Mandatory Mounting Options	Factory Installed Options
IHB	200	PSMV-Pulse-Start Metal Halide	MT <sup>3</sup> 480 TT <sup>4</sup>	IBG16EN- 16" Glass Enclosed w/Clear Flat Tempered Glass Lens	DM - Direct Mounting PM - Pendant Mounting HM-XXX - Hogk, 3ft. Cord & Plug Mounting <sup>5</sup> (XXX = Specify Voltage 120, 208, 240, 277 or 480 ) Twist-Lock Plug 120v - L515P Twist-Lock Plug 208v - L615P Twist-Lock Plug 240v - L615P Twist-Lock Plug 277v - L715P Twist-Lock Plug 480v - L820P IHBPHK - Universal Power Hook Mounting <sup>5</sup>	SQT - Standby Quartz (Time Delay) SQN - Standby Quartz (Non-Time Delay) SF120 - Single Fusing SF277 - Single Fusing DF208, 240 - Double Fusing WG - Wire Guard for Open BG16 Optics LL - Less Lamp
	250	200, 250, 320, 400, 450 Watt				
	320	SMV-Super Metal Halide				
	400	400 Watt				
	450	MH-Metal Halide 250, 400 Watt HPS-High Pressure Sodium 250, 400 Watt				
		PSMP-Pulse-Start Metal Halide Protected 200, 250, 320, 400, 450 Watt MP-Metal Halide Protected 250, 400 Watt HPS-High Pressure Sodium 250, 400 Watt		IBG16- 16" Glass Open		

EXAMPLE OF A TYPICAL ORDER

**IHB 320 PSMV MT IBG16EN HM120 SF120**

## FOOTNOTES:

- |   |   |
|---|---|
| <p>1 - Other wattages may be available. Consult factory</p> <p>2 - For International voltages, consult factory.</p> <p>3- MT – Multi Tap is shipped standard unless otherwise specified. Multi Tap consists of 120V, 208V, 240V, and 277V. Multi Tap is pre-wired for highest voltage. Alternate voltages will require field re-wiring.</p> | <p>4- Tri-Tap is shipped standard for Canadian applications. Tri-Tap consists of 120V, 277V, and 347V. Tri-Tap is pre-wired for highest voltage. Alternate voltages will require field re-wiring.</p> <p>5- Cord and plug set shipped seperately. Rewiring to ballast available - specify voltage. Consult factory.</p> |
|---|---|

## ACCESSORY ORDERING INFORMATION (Accessories are field installed)

Description	Order Number	Description	Order Number
Ball Aligner, 3/4" for Round J Box	BC585 ZINC <sup>+</sup>	Emergency Quartz Lighting Kit	EQ
Ball Aligner, 3/4" for Sq. J Box	BC585SQ ZINC <sup>+</sup>	Safety Chain Kit	IHBSCK
Decorative 3/4 Ball Aligner - Gloss White	BC600GWT <sup>+</sup>	Throughway Mount Box with Swivel	TWBS <sup>+</sup>

<sup>+</sup> For use with PM mounting option

Project Name \_\_\_\_\_ Fixture Type \_\_\_\_\_  
 Catalog # \_\_\_\_\_